

VRT3100 SERIES

VENT-FREE GAS FIREBOXES

Superior
FIREPLACES®
Our name is our promise.



TRADITIONAL

These universal heat-circulating vent-free fireboxes with 24" tall hooded clean-faced openings combine performance, versatility and value to add the finishing touch and ambiance to any home.

FEATURES

- Available in 32", 36" and 42" models with refractory liners and floor
- Available in 32", 36" and 42" models with fiber liners and black metal floor
- 32" model has a 24" tall opening and accepts most 18" vent-free gas logs
- 36" model has a 24" tall opening and accepts most 24" vent-free gas logs
- 42" model has a 24" tall opening and accepts most 30" vent-free gas logs
- All models are heat-circulating with a clean face
- Includes heat deflection hood
- Durable textured powder coat finish
- Includes mesh fire screens
- Optional precision-cut decorative twin-pane screen doors in a textured iron finish
- Optional blower kits available for all models (J-Box Kit required)
- Optional outside air kit
- 20-year limited warranty

INTERIOR OPTIONS

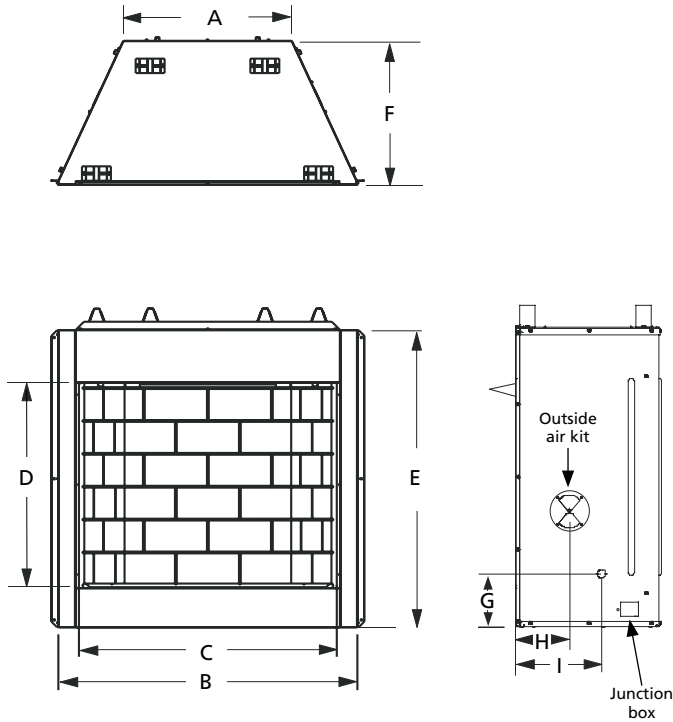


White Stacked Refractory Liner



Back Bay Brown Fiber Liner

APPLIANCE SPECIFICATIONS



	VRT3132	VRT3136	VRT3142
A	19-1/2"	23-1/2"	29-1/2"
B	37-3/4"	41-3/4"	47-3/4"
C	33"	36"	42"
D	24"	24"	24"
E	37-1/4"	37-1/4"	37-1/4"
F	20"	20"	20"
G	7-3/8"	7-3/8"	7-3/8"
H	7-1/2"	7-1/2"	7-1/2"
I	12"	12"	12"

INTERIOR FIREBOX DIMENSIONS*

	VRT3132	VRT3136	VRT3142
FRONT WIDTH	31"	35"	41"
REAR WIDTH	19-1/4"	23-1/4"	29-1/4"
DEPTH	17-3/8"	17-3/8"	17-3/8"
HEIGHT	24"	24"	24"

* To assist with compatible log size selection

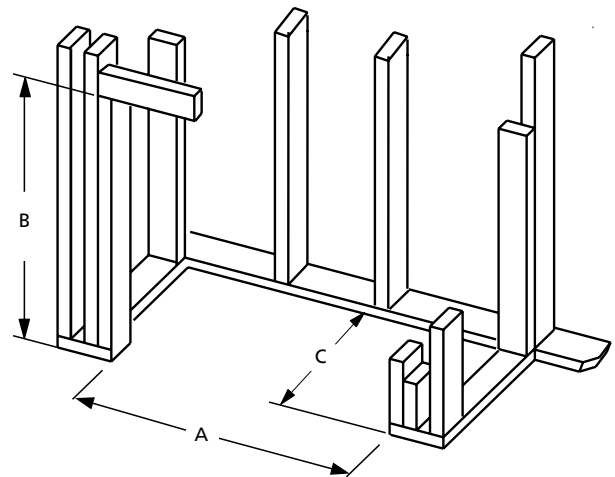
OPTIONAL ACCESSORIES



- Decorative twin-pane screen door in a textured iron finish
- Single and variable speed blower kits
- J-Box kit (required for use with optional blower)
- Outside air kits
- Vent-free gas logs

FRAMING SPECIFICATIONS

	VRT3132	VRT3136	VRT3142
A	38-1/4"	42-1/4"	48-1/4"
B	40-1/4"	40-1/4"	40-1/4"
C	20-1/2"	20-1/2"	20-1/2"



On the Cover: VRT3136 shown with Back Bay Brown Ceramic Fiber Liners and Rugged Stack Vent-Free Logs (sold separately).

IMPORTANT NOTES:

As with any fireplace, this appliance is extremely hot during operation. Read and understand all operating instructions before using this appliance. For further information, consult your dealer.

Local conditions, such as elevation, wind, vent configuration and choice of fuel will affect overall appearance of the fire and heating performance. Performance can also vary with home design and insulation, climate, condition and type of fuel used, appliance location, burn rate, accessories chosen, chimney installation and how the appliance is operated.

Diagrams, illustrations and photographs are not to scale—consult installation instructions. Product designs, materials, dimensions, specifications, colors and prices are subject to change or discontinuance without notice.



© 2018 Innovative Hearth Products
785695M 02/18

Visit us online
SuperiorFireplaces.us.com

