



FMI PRODUCTS, LLC

# BDG AND BD50 SERIES GLASS DOOR INSTALLATION INSTRUCTIONS

## For Use With (V)G36, (V)G42 and (V)G50 Series Wood Burning Fireplaces

### INSTALLING DOOR FRAMES

1. Remove screws from smoke shelf (see Figure 1).
2. Mount top door frame and secure with screws removed in step 1 (see Figure 1).
3. Remove center brick by pulling ring handle (see Figure 2).
4. Remove ash box.
5. Remove three screws located at front of firebox bottom.
6. Align bottom frame mounting holes with holes at front of firebox and secure with screws removed in step 5.
7. Place ash box in place. Replace center brick.

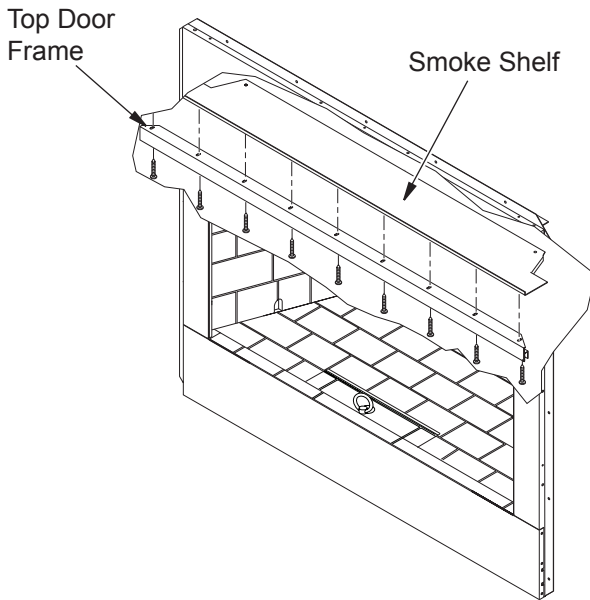


Figure 1 - Installing Top Door Frame

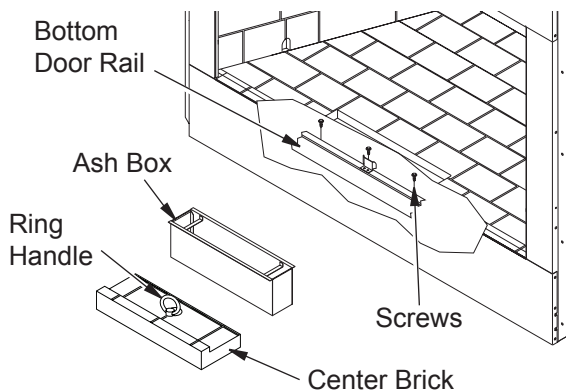


Figure 2 - Installing Bottom Door Frame

### INSTALLING GLASS DOORS

Spring clips have been installed but minor adjustments may still be needed. If the doors do not close properly or do not appear straight, see *Door Adjustment*.

1. With bi-fold door completely folded, insert bottom pivot pin into hole located at bottom corner of bottom door frame as shown in Figure 3.
2. Swing door to vertical position and make sure top pins slide into door track. Door pin should snap onto the clip when vertical.
3. Repeat for other door.

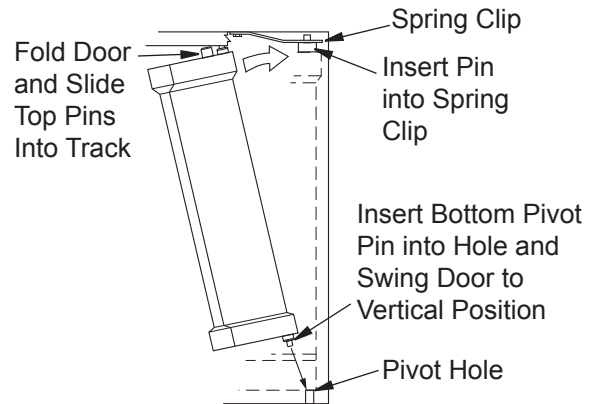


Figure 3 - Installing Bi-Fold Doors

### DOOR ADJUSTMENT

Remove doors and slightly loosen upper spring clips. Replace and fully close doors. Use 1/8" shims to level doors. Once proper setting is achieved, carefully open doors enough to access pivot and spring clips with a phillips screwdriver. Tighten screws (see Figure 4).

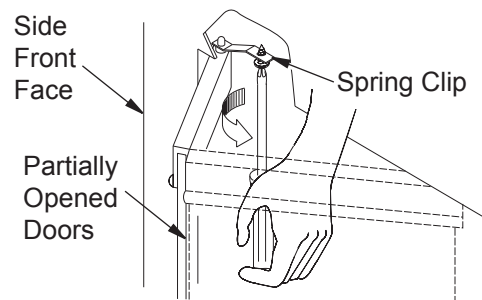


Figure 4 - Adjusting Door



Manufactured at:  
2701 S. Harbor Blvd.  
Santa Ana, CA 92704  
[www.fmiproducts.com](http://www.fmiproducts.com)  
© 2010 FMI PRODUCTS, LLC  
All Rights Reserved

110387-01  
Rev. C  
10/10