



FMI PRODUCTS, LLC

**BDMO SERIES GLASS DOOR INSTALLATION INSTRUCTIONS
FOR USE WITH FMI MASONRY WOOD BURNING FIREBOX
MODELS JM AND GM SERIES**

INSTALLING DOOR FRAMES

1. Remove screws from smoke shelf (see Figure 1).
2. Mount top door frame and secure with screws provided (see Figure 1).
3. Place bottom door frame on top of ash lip at front of fireplace (see Figure 2).
4. Secure bottom door frame to brick with two hex screws provided as shown in Figure 3 using a 7/16" open end or adjustable wrench.

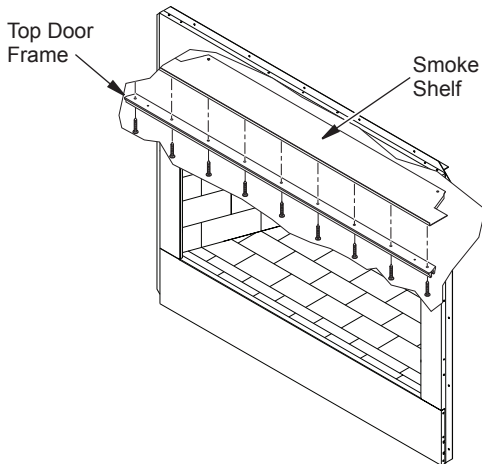


Figure 1 - Installing Top Door Frame

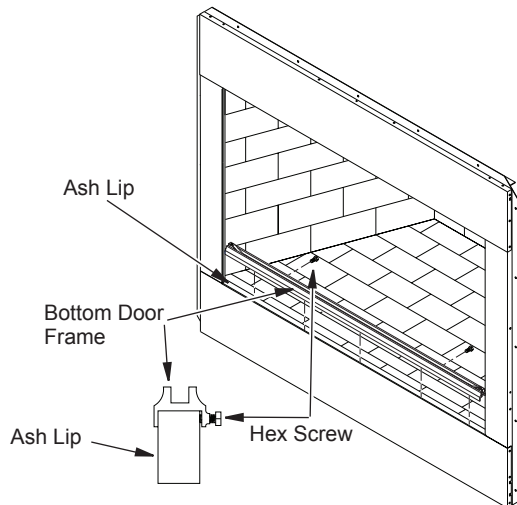


Figure 2 - Installing Bottom Door Frame

INSTALLING GLASS DOORS

Spring clips have been installed but minor adjustments may still be needed. Install the doors using the following steps:

1. With bifold door completely folded, insert bottom pivot pin into hole located at bottom corner of of bottom door frame as shown in Figure 3.
2. Swing door to vertical position and make sure top pins slide into door track. Door pin should snap onto the clip when vertical.
3. Repeat for other door.

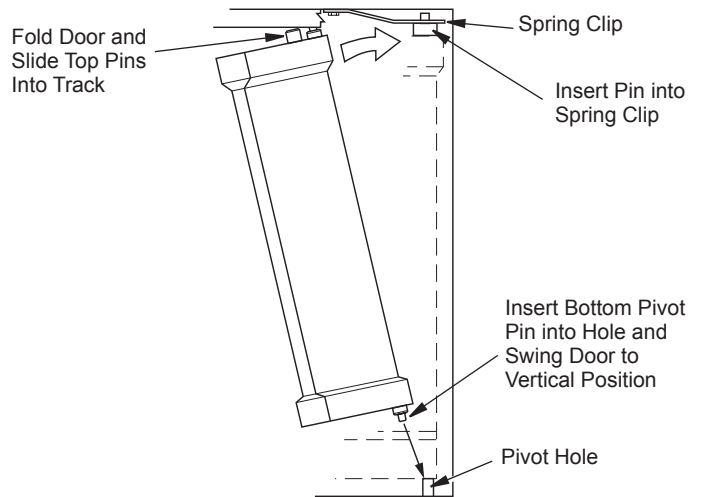


Figure 3 - Installing Bi-Fold Doors

DOOR ADJUSTMENT

Remove doors and slightly loosen upper spring clips. Replace and fully close doors. Use 1/8" shims (any material) to level doors. Once proper setting is achieved, carefully open doors enough to access pivot and spring clips with a Phillips head screwdriver. Tighten screws (see Figure 4).

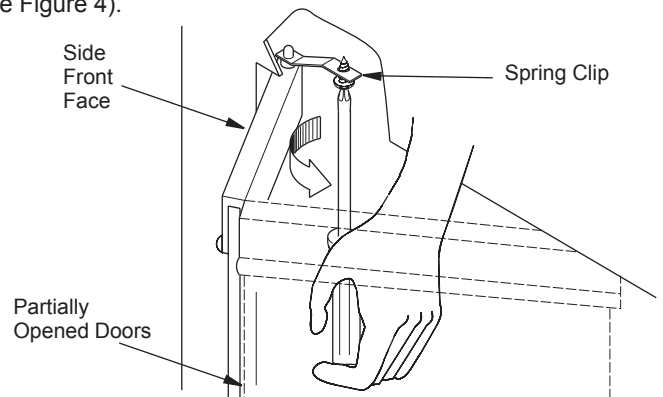


Figure 4 - Adjusting Door



FMI PRODUCTS, LLC

2701 S. Harbor Blvd.
Santa Ana, CA 92704
1-866-328-4537

www.fmiproducts.com

118262-01
REV. B
02/11