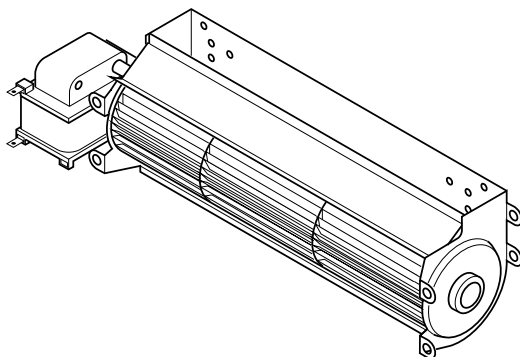


Smoky Mountain Emporium, Ltd

828-670-1970

www.smgeneralstore.com

GA3650TB BLOWER ACCESSORY INSTALLATION INSTRUCTIONS



⚠ WARNING: ELECTRICAL GROUNDING INSTRUCTIONS This appliance is equipped with a three-prong (grounding) plug for your protection against shock hazard and should be plugged directly into a properly grounded three-prong receptacle.

Note: This blower kit should be used with 32" fireplace system models: LFP33, CGFP28, FPVF33, VSGF28, VYGF33, (CG)EFP33, VCGF30, VSGF33, or VTGF33 Series, or Stove model: S39T Series.

Parts included with this kit

Part No.	Description	Qty
	Instruction Sheet	1
	Speed Control with Power Cord	1
103581-02	Blower	1
	Mounting Hardware Kit (includes parts below)	1
101614-02	Switch and Cover Assembly	1
101398-03	Wire Harness	1
M11084-38	#8 x 3/8" Sheet Metal Screws	5
104903-01	Wiring Diagram Decal	1
101629-01	Plastic Hole Bushing	2
103650-01	Control Knob	1
103651-01	Lock Nut	1

Tools Required

- Flat Blade Screwdriver
- Phillips Screwdriver

If any of these pieces are missing or damaged, or if the installation instructions for your fireplace or stove are not included in this manual, contact the dealer where you purchased this kit or DESA at 1-866-672-6040 for referral information.

INSTALLING BLOWER ACCESSORY IN A 32" FIREPLACE SYSTEM

IMPORTANT: Read all installation instructions before installing blower.

NOTICE: Shut off gas supply and disconnect heater from gas supply. Contact a qualified service person to do this.

Note: Appearance of firebox may vary depending on model.

1. Remove fireplace screen or front glass per the instructions in operation manual supplied with fireplace.
2. If logs are installed, carefully remove the logs and set aside, noting the properly mounted location of each.
3. Remove screws that attach log base assembly to fireplace (do not discard). Carefully lift up log base assembly and remove from fireplace, taking care to pull flexible gas line through the access holes (see Figure 1).

⚠ CAUTION: Do not pick up log base assembly by burners. This could damage burners. Only handle base by grates.

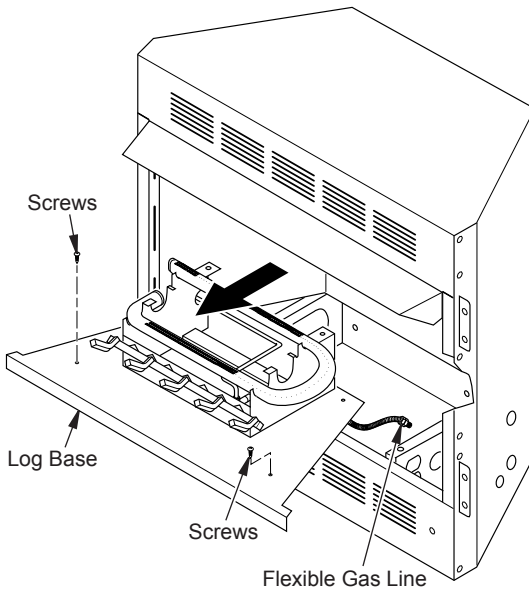


Figure 1 - Removing Log Base from Fireplace

INSTALLING BLOWER ACCESSORY IN A 32" FIREPLACE SYSTEM

Continued

- Remove the three screws (do not discard) and cover plate from center of firebox wrapper rear wall. Discard this cover plate (see Figure 2).
- Mount the supplied thermostatic switch and cover assembly into firebox wrapper wall. Do this by feeding terminal ends of wire harness into the hole. Allow wires to fall to bottom of firebox cavity (see Figure 2).
- Using three screws from step 7, attach switch and cover assembly to firebox wrapper rear wall. Tighten screws firmly (see Figure 2).
- Place the blower against lower rear wall of firebox outer wrapper with the exhaust port directed upward. Align the holes in top mounting tabs of blower with holes in wall of wrapper (see Figure 3, page 4). Using two #8 screws provided, mount blower and tighten screws firmly.
- Firmly attach red wire from the thermostatic switch and cover assembly to either of the terminals on the blower motor (see Figure 2).
- Firmly attach black wire from speed control cord to blue wire from thermostatic switch and cover assembly (see Figure 2).
- Firmly attach white wire from speed control cord to remaining terminal on blower motor (see Figure 2).
- Using screw provided, attach green ground wire from speed control cord to blower housing. Tighten screw securely (see Figure 2).

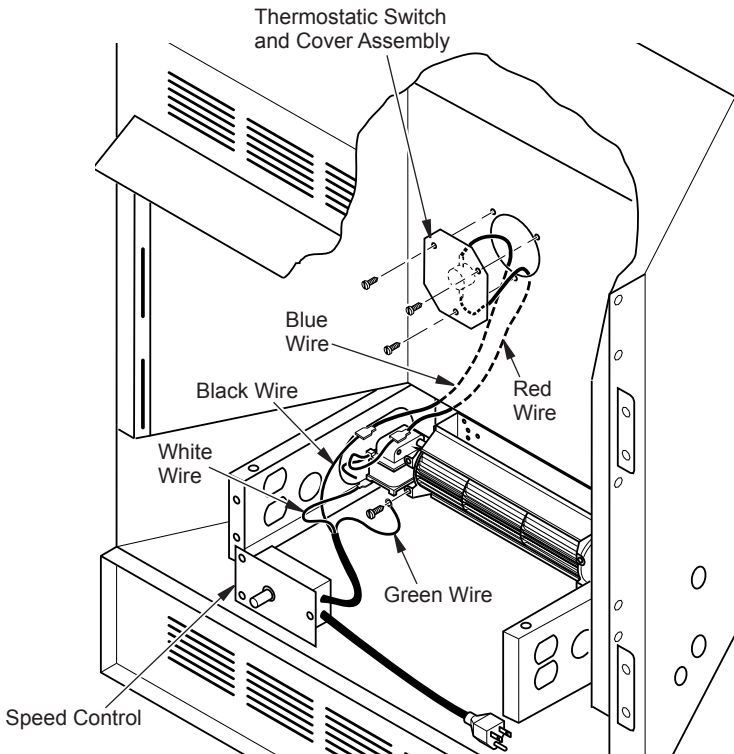


Figure 2 - Installing Switch and Cover Assembly, and Speed Control

INSTALLING BLOWER ACCESSORY IN A 32" FIREPLACE SYSTEM

Continued

- Place control knob provided on plastic control shaft of speed control (see Figure 4).
- Locate the plastic hole plug installed in the 3/8" diameter opening in the lower right side of the firebox front panel (see Figure 4). Remove the plastic plug and discard.
- Place speed control against inner wall of front panel, pushing the plastic control shaft forward through the opening (see Figure 4).

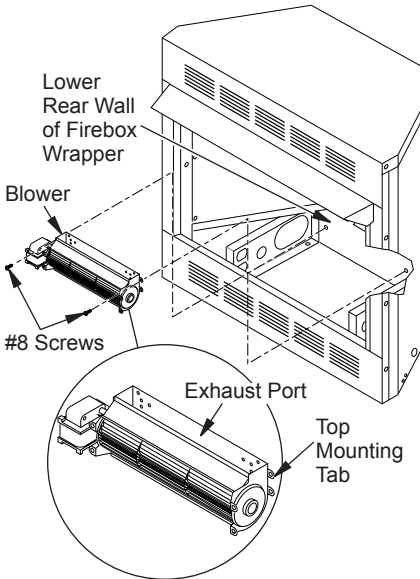


Figure 3 - Mounting Blower to Firebox

- While supporting speed control, secure control shaft with lock nut by pushing and turning lock nut with pliers clockwise until it is tight against front panel. Place control knob provided on shaft (see Figure 4).

Note: Some remote ready fireplace models have the gas control located near the left floor support bracket. For these models mount the blower speed control on the right floor support bracket.

⚠ WARNING: Never touch the blower wheel while in operation.

⚠ WARNING: Failure to connect all wires properly as indicated may cause electrical short circuit or personal injury. A qualified electrician should check that all connections are made properly.

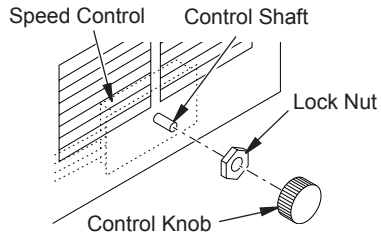


Figure 4 - Attaching Speed Control

INSTALLING BLOWER ACCESSORY IN A 32" FIREPLACE SYSTEM

Continued

14. Plug in blower power cord.

a. **If your firebox is installed as a freestanding unit with an accessory mantel**, determine whether the power cord will exit the left side or the right side of the firebox. Install one plastic bushing provided into the 1.5" hole in the floor support on the exit side. Install the second bushing provided into the 1.5" hole in the outer casing through which the power cord will exit (see Figures 5 and 6). Route power cord through plastic bushings and plug the power cord into a properly grounded three-prong wall receptacle near the firebox.

b. **If your fireplace system installation is recessed**, install one plastic bushing provided into the 1.5" hole near the middle of the left floor support bracket (see Figure 6). Route power cord through plastic bushing. Plug the power cord into a properly installed duplex outlet. (If an outlet is not installed in your fireplace, the accessory model GA3555 Outlet Kit with cover can be installed in your fireplace. This will supply a convenient three-prong grounded electrical outlet for your blower. Refer to the installation manual provided with the model GA3555 accessory for instructions on wiring the duplex outlet.)

Note: A qualified installer must make all electrical connections.

15. Check to make sure that the power cord and wires are completely clear of the blower wheel and that there are no other foreign objects in blower wheel.

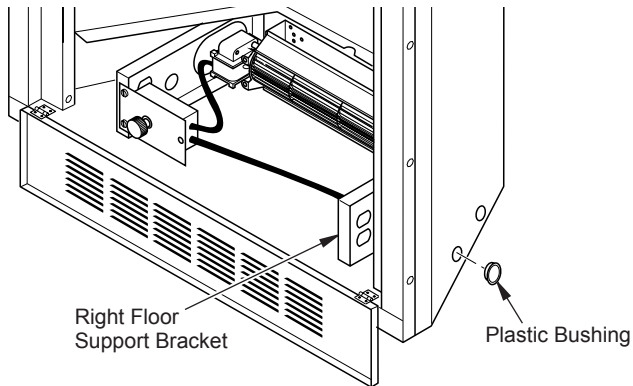


Figure 5 - Installing Plastic Bushing for Power Cord (Right Side Exit Shown)

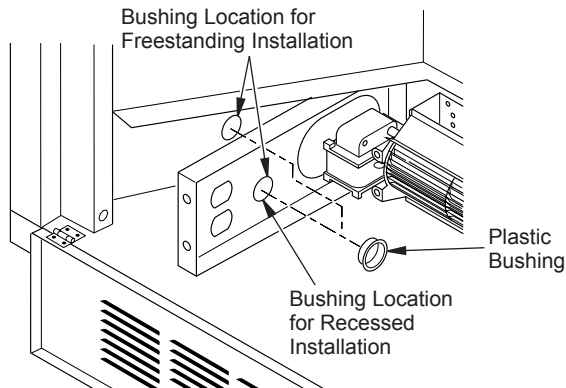


Figure 6 - Installing Bushings (Left Side Exit shown)

INSTALLING BLOWER ACCESSORY IN A 32" FIREPLACE SYSTEM

Continued

- Peel off the backing paper and stick the supplied wiring diagram decal on the firebox bottom approximately 12" in front of blower (see Figure 7).
- Replace log base assembly in fireplace. Feed flexible gas supply line into fireplace base area while replacing log base assembly. Make sure the entire flexible gas line is in fireplace base area.

Note: If firebrick is installed, make sure the back of the firebox bottom slides under the rear panel of the firebrick. (lift the firebrick up if necessary.)

CAUTION: Do not pick up log base assembly by burners. This could damage burners. Only handle base by grates.

- Reattach log base assembly to fireplace with screws removed in step 3.
- Install logs and fireplace screen per instructions in operating manual provided with fireplace.

WARNING: Failure to connect all wires properly as indicated may cause electrical short circuit or personal injury. A qualified electrician should check that all connections are made properly.

- Connect gas supply to fireplace per instructions in operating manual provided with fireplace.

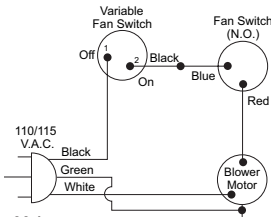
WARNING: A qualified service person must connect fireplace to gas supply. Follow all local codes.

If any of the original wire as supplied with the appliance must be replaced, it must be replaced with 105° C wire or it's equivalent.

WARNING: Never attempt to service heater while it is plugged in, operating, or hot. Burns and electrical shock could result. Only a qualified service person should service or repair heater.

If any of the original wire as supplied with the appliance must be replaced, it must be replaced with 105°C wire or it's equivalent.

WARNING: Label all wires prior to disconnection when servicing controls. Wiring errors can cause improper and dangerous operation. Verify proper operation after servicing.



120 Vac. 60 Hz. .90 Amps
DESA International, Bowling Green, KY

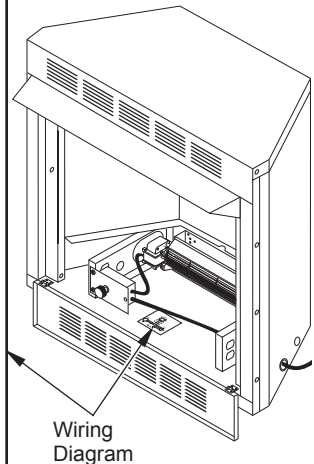


Figure 7 - Location of Wiring Diagram Decal 3" from Blower

INSTALLING BLOWER ACCESSORY IN A 32" FIREPLACE SYSTEM

Continued

OPERATING THE BLOWER

Light your gas appliance with the blower off. After about 15 minutes, turn the blower on to deliver heated air at the top louvers. The blower features a variable control which allows you to select the speed you desire. In the OFF position, the blower will not operate. In the ON position, the blower will start when the thermostat senses a sufficient increase in firebox temperature (approximately 10 to 20 minutes depending on heat setting).

Note: Your gas logs and thermostat blower will not turn on and off at the same time. The fireplace may run for several minutes before the blower turns on. After the heater modulates to the pilot position, the blower will continue to run. The blower will shut off after the firebox temperature decreases.

Note: It is safe to operate fireplace with blower turned off. However, the blower helps distribute heated air from the fireplace.

Note: Periodically check the louvers of the firebox and remove any dust, dirt, or other obstructions.

Smoky Mountain Emporium, Ltd
828-670-1970
www.smgeneralstore.com