



# "T" Series

# Outdoor Built-in Gas Grill Quick Start Guide

**CAUTION:** For your safety read the installation instructions and owner's manual provided with the grill.

### 1-Safety

**INSTALLER:** Leave these instructions with consumer. **CONSUMER:** Retain for future reference.

This grill must be installed in accordance with local codes and ordinances, or, in the absence of local codes, with either the latest National Fuel Gas Code (ANSI Z223.1/NFPA 54), and Natural Gas and Propane Storage and Handling Installation Code (CSA-B149.1).

This appliance and its individual shutoff valves must be disconnected from the gas-supply piping system when testing the system at pressures in excess of ½ psig. This appliance must be isolated from the gas-supply piping system by closing its dedicated manual shutoff valve during any pressure testing of the gas-supply system at pressures up to and including ½ psig.

**WHEN INSTALLING THE UNIT FOR USE WITH PROPANE (L.P.) GAS, YOU MUST BE AWARE OF THE ENCLOSURE REQUIREMENTS AND YOU MUST VENT THE UNIT IN ACCORDANCE TO YOUR OWNER'S MANUAL. FAILURE TO DO SO MAY LEAD TO PROPERTY DAMAGE OR BODILY INJURY, INCLUDING DEATH.**

This grill is designed for outdoor use only. DO NOT use this grill inside a building, garage, enclosed area, or under overhead combustible construction (see paragraph below). DO NOT use this grill in or on a recreational vehicle or boat.

**Important:** If installing this grill in a COMBUSTIBLE enclosure, the correct AOG insulating liner must be used. Consult the liner instructions for counter cut-out dimensions and installation.

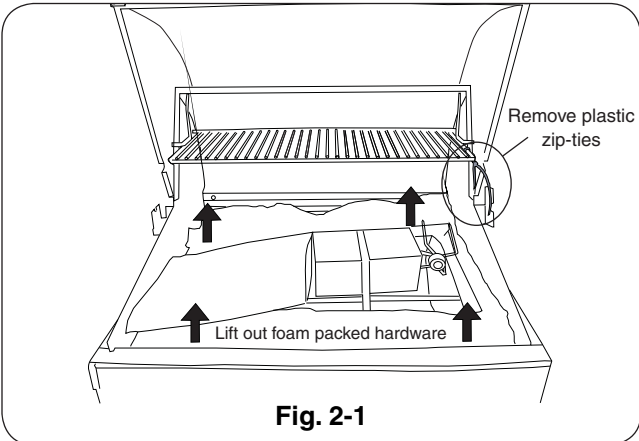
**This outdoor cooking gas appliance shall not be used under overhead combustible construction.** If the grill is installed under an overhead structure, it must be constructed of non-combustible material. An exhaust hood is recommended. **When using an exhaust hood:** The cooking grid area must be covered by an exhaust hood (with a vent) larger than the cooking surface. Refer to manufacturer specifications. An exhaust fan with a rating of 1,000 CFM (cubic feet per minute) (472 liters per second) or more may be necessary to effectively remove smoke and other cooking by-products from the area under the hood. RHP Vent Hoods are available, contact your local dealer. **THIS UNIT MUST NOT BE LOCATED IN A FULLY ENCLOSED AREA OF ANY KIND.**

**Installation must be performed by a qualified professional service technician.**

### 2-Unpacking

Carefully unpack the grill, removing all packing material and protective film. Verify that all parts have arrived undamaged by consulting the parts list in the owner's manual. Remove foam packed hardware from oven area. (See Fig. 2-1.)

Consult the parts list in the owner's manual. If any parts are missing or damaged, immediately contact the AOG dealer before beginning installation.



**Fig. 2-1**

### 3-Installation Location


Refer to the INSTALLATION REQUIREMENTS section of your grill owner's manual for complete details.

**CAUTION:** Wind blowing into or across the rear oven lid vent (Fig. 3-1) can cause poor performance and/or dangerous overheating. Orient the grill so that the prevailing wind blows toward the front of the grill (Fig. 3-2).

**CAUTION:** To prevent dangerous overheating, the rear of the unit must have a minimum clearance of 4" from any backsplash/non-combustible wall.

**INCORRECT**


Rear oven lid vent



**YOU MUST PROTECT REAR OVEN VENT FROM PREVAILING WIND**

**Fig. 3-1**

**CORRECT**



**PLACE GRILL SO PREVAILING WIND BLOWS TOWARD FRONT OF GRILL**

**Fig. 3-2**

### Connect Gas supply

These quick start instructions assume a natural gas or household propane configured unit. See main instructions for propane cylinder units.

**Note:** This section is only an overview of installation to the gas supply. Refer to the grill owner's manual for complete grill installation details.

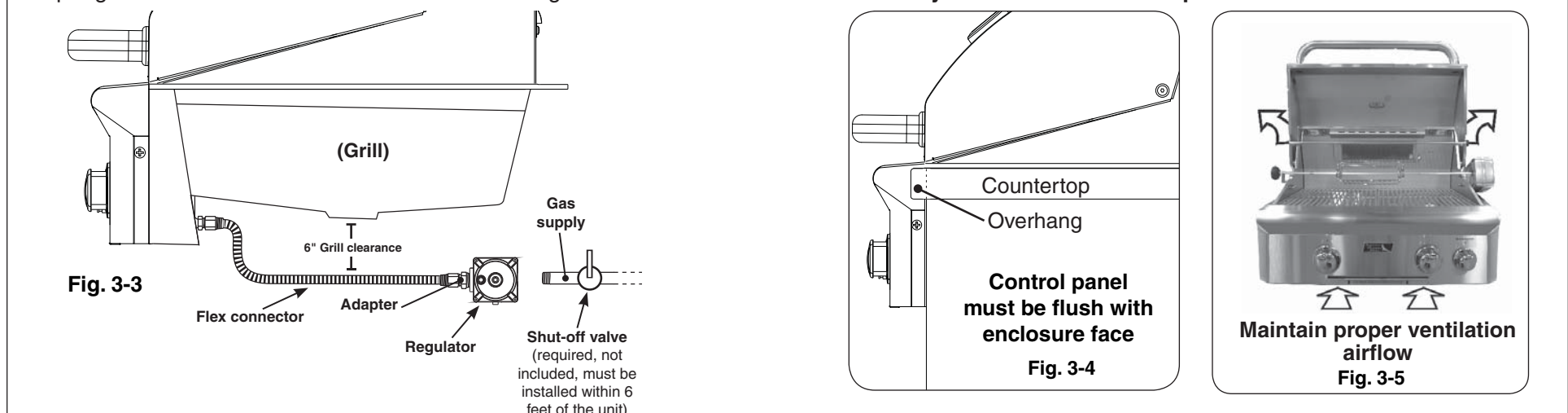
Route the attached flex connector with regulator (located underneath the grill) to the gas-supply stub. (An adapter is required if the gas-supply stub is other than 1/2" in diameter.) Turn OFF the gas supply at the source. Then connect the regulator to the gas-supply stub. Use pipe joint compound that is resistant to all gasses on the male pipe fitting and tighten securely. DO NOT use pipe joint compound to connect flare fittings. See Fig. 3-3.

Turn all burner control knobs to the OFF position. Turn the gas supply on. Then carefully check all gas connections for leaks with a brush and half-soap/half-water solution before lighting. NEVER USE A MATCH OR OPEN FLAME TO TEST FOR LEAKS.

Close the shut-off valve, then slide the grill into place. Do not pinch, kink, or damage the gas connector line.

The control panel must be flush with the enclosure face as shown in Fig. 3-4.

Proper grill airflow must be maintained as shown in Fig. 3-5. Do not block. It is not necessary to remove the control panel or knobs for installation.



## 4-Grill Setup

### Parts Placement Checklist

Place the following items according to their position and orientation in Fig. 4-1:

Vaporizer panels, cooking grids, and warming rack.

Leave pre-installed burners in place to maintain proper alignment.

### Vaporizer Panels

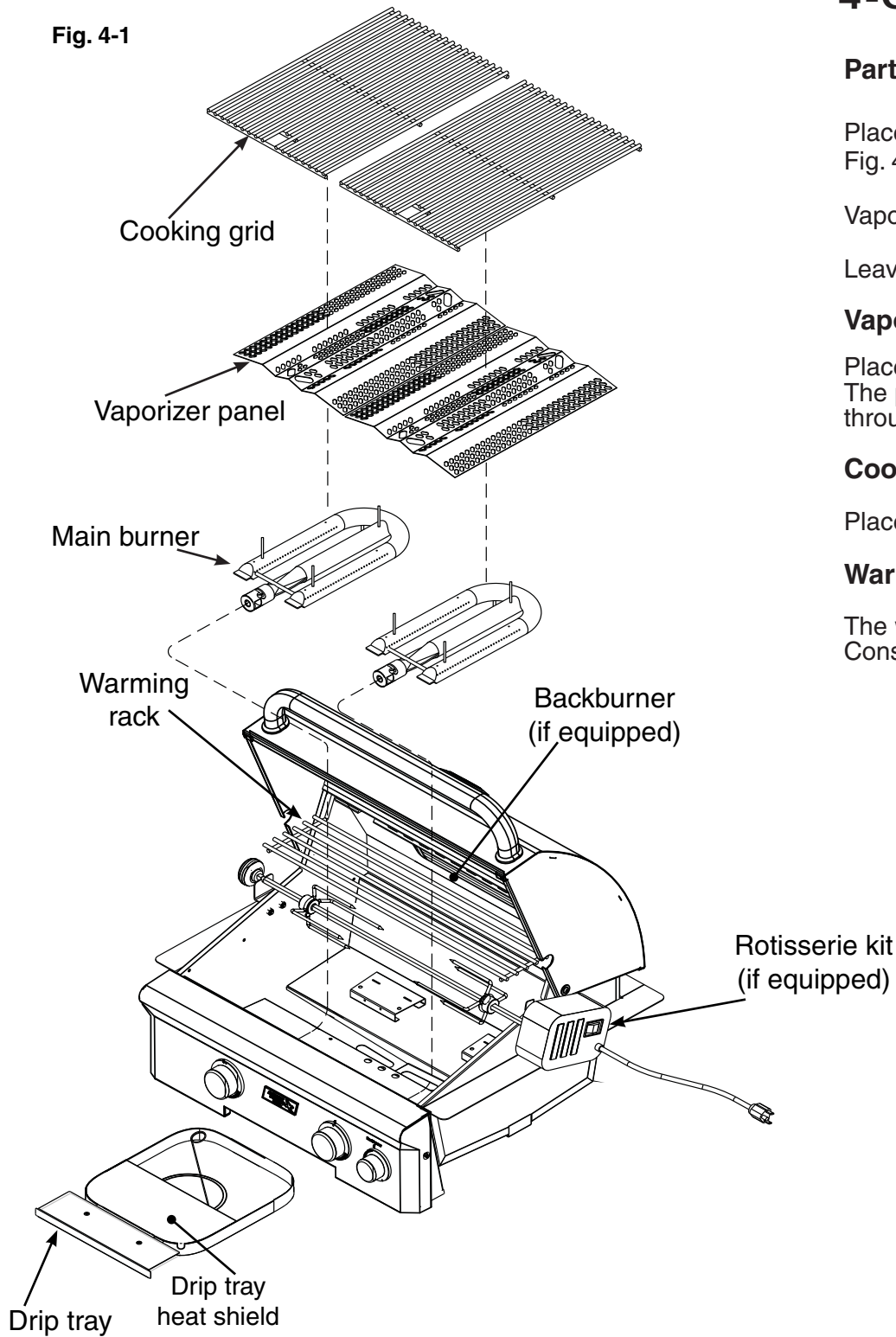
Place the vaporizer panels directly onto the studs on the burners. The panels allow heat from the burners to be evenly distributed throughout the cooking area.

### Cooking Grids

Place the cooking grids (over the burners) onto the grill frame.

### Warming Rack

The warming rack comes pre-installed. Remove zip ties before use. Consult the owner's manual to remove or replace.



The **burner ports** and **carry-over ports** must be kept clean to ensure proper ignition and operation.

Replacement parts can be ordered from your local AOG dealer.

## 5-Test

**Note:** **DO NOT** turn on more than one valve at a time for either electronic or manual lighting.

1. Open lid(s) or remove cover(s) from burner(s) to be lit.
2. Turn all gas control knob(s) to their **OFF** position(s).
3. Turn on the gas at its source.
4. Depress the desired control knob, then while pressing turn it counterclockwise to the **HI LIGHT** position. Once the burner lights, release the knob.

**Note:** Turning the knob will create a "click" sound. The pilot will ignite at this point, lighting the burner.

**CAUTION:** If a burner does not light within two to three (2-3) seconds of turning on the control knob, depress the knob and turn it to the **OFF** position. **WAIT FIVE (5) MINUTES** before repeating step 4. If you smell gas, follow the instructions on the cover of the grill owner's manual. If the burners still do not light after several attempts, refer to the grill owner's manual for manual lighting.

5. Repeat step 4 for each additional burner to be lit.

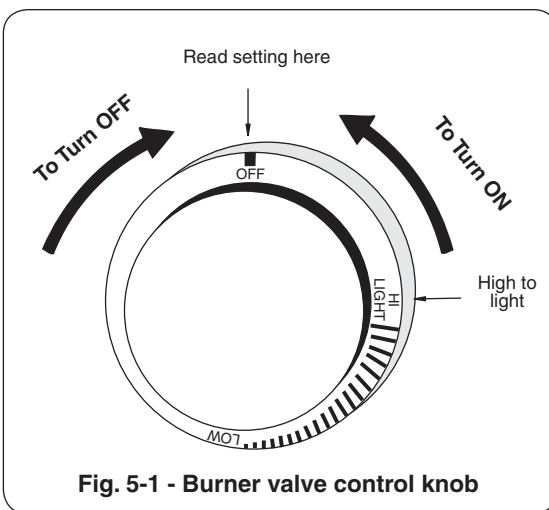
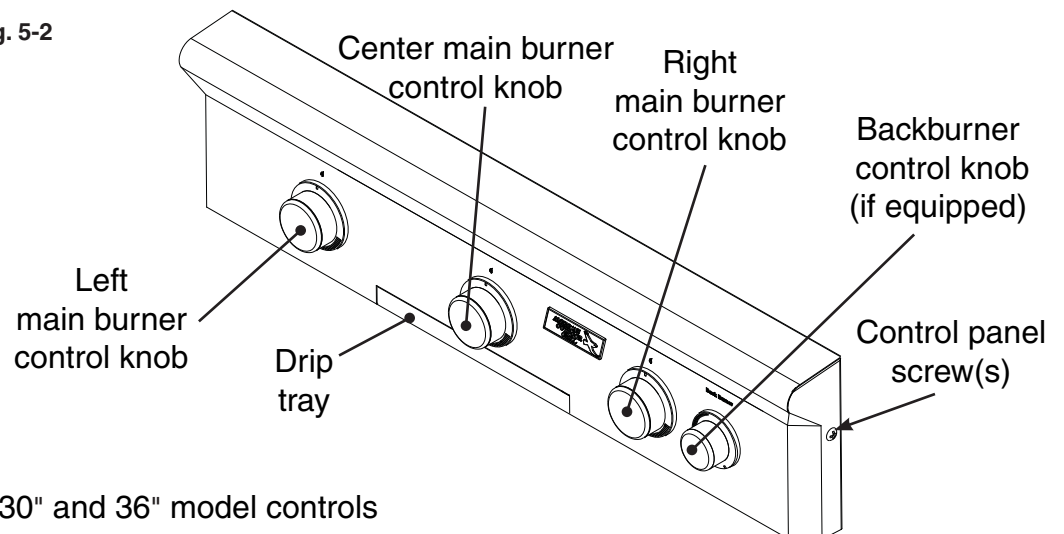


Fig. 5-1 - Burner valve control knob

**WHEN OPERATING THIS APPLIANCE WITH PROPANE, ALL INSTRUCTIONS AND WARNINGS MUST BE OBSERVED. FAILURE TO DO SO MAY RESULT IN A FIRE OR EXPLOSION CAUSING SERIOUS INJURY OR DEATH.**

Fig. 5-2



30" and 36" model controls

## 6-Propane Safety

**FOR PROPANE CONFIGURATIONS; READ ALL SAFETY INSTRUCTIONS AND WARNINGS REGARDING THE USE OF PROPANE GAS FOUND IN YOUR OWNER'S MANUAL.**