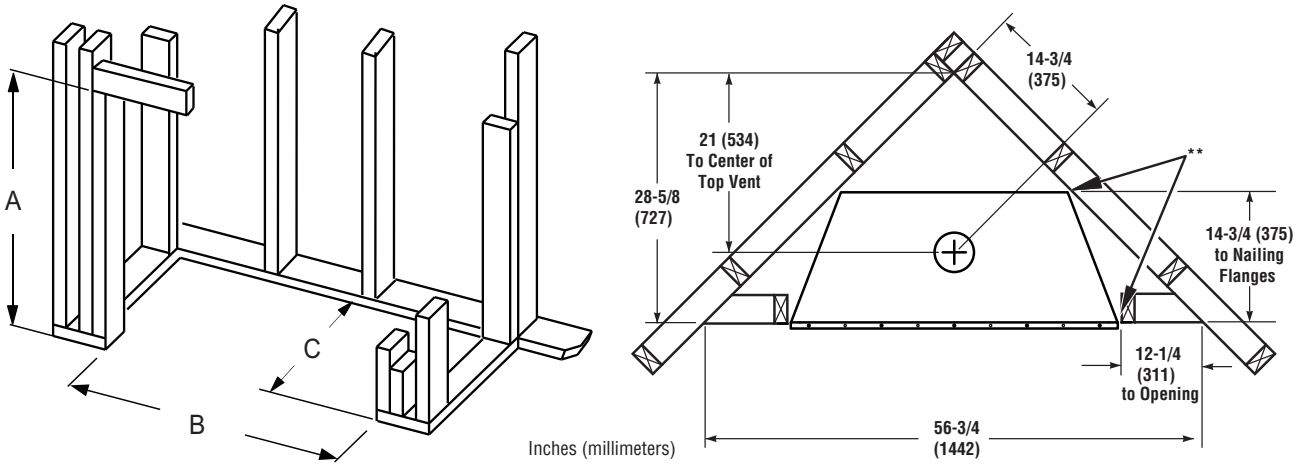


BCT2536 SERIES

B-VENT TRADITIONAL FIREPLACES

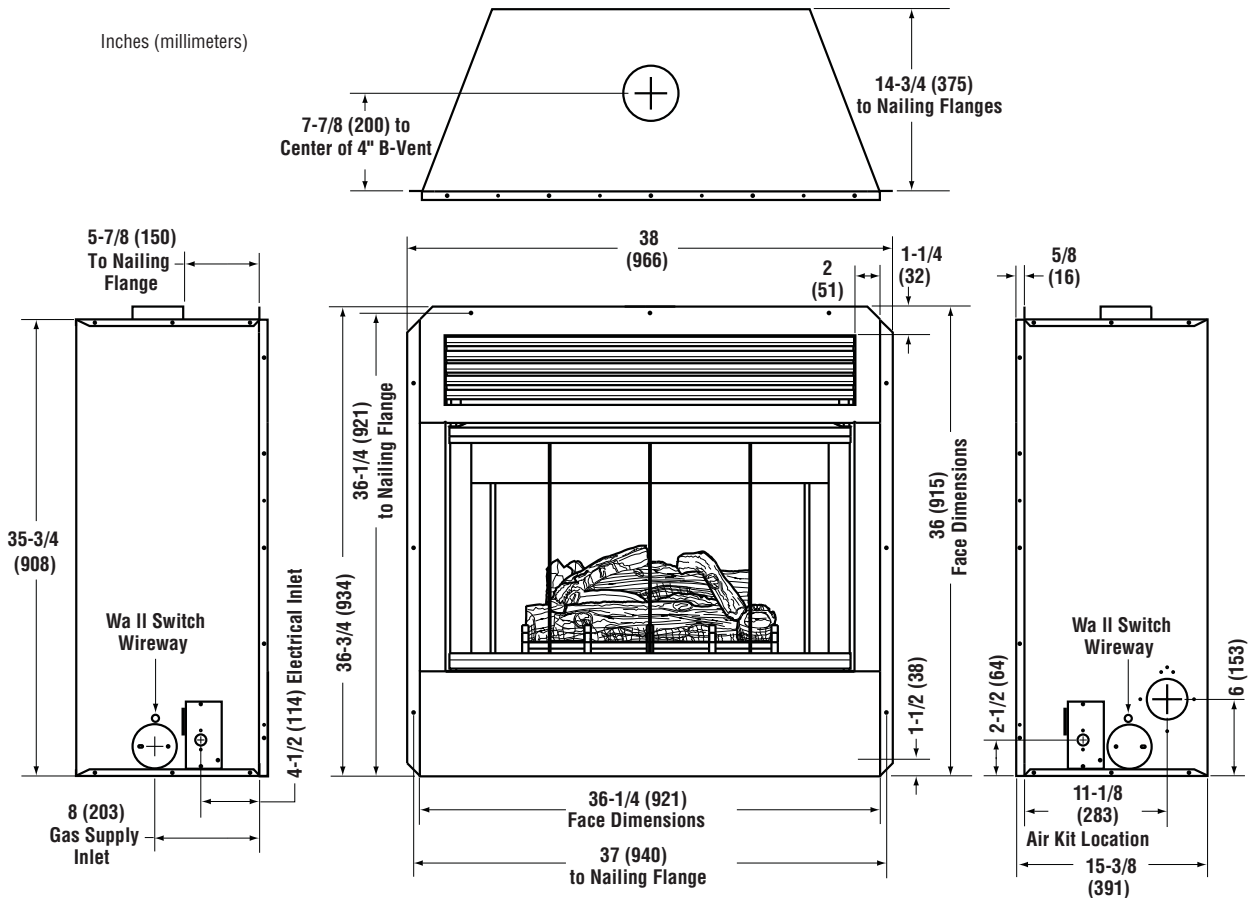
Framing Dimensions



Models	A	B	C
BCT2536	36" (915)	36-1/4" (921)	14-3/4" (375)

** These dimensions allow for 1" clearance at sides and back of fireplace. However, 0" clearance is also permitted at all sides when framed.

Fireplace Dimensions



Diagrams, illustrations and photographs are not to scale. Consult installation instructions. Product designs, materials, dimensions, specifications, colors, and prices are subject to change or discontinuance without notice.

BCT2536 SERIES

Product Information

Cat. #	Model	Weight	Cu. Ft.
F0847	BCT2536TMN	105 lb.	14.0
F0848	BCT2536TMP	105 lb.	14.0
F0849	BCT2536TEN	105 lb.	14.0
F0850	BCT2536TEP	105 lb.	14.0

Listing Information

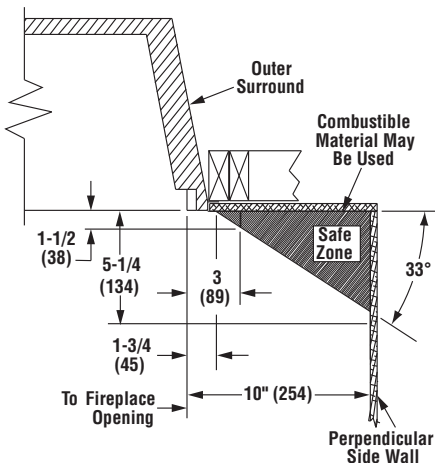


Report No. F09-155

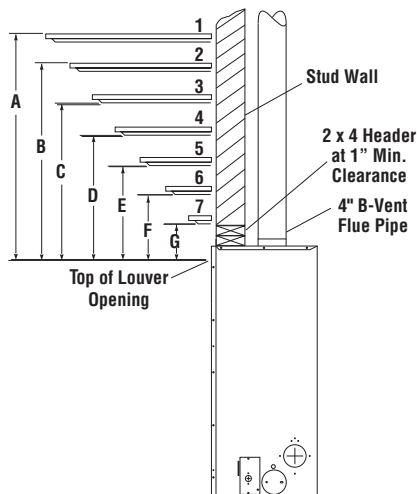
This fireplace complies with the National Safety Standards and is listed by PFS Corporation to ANSI Z21.50/CSA 2.22 standard as a vented gas fireplace.

Clearances

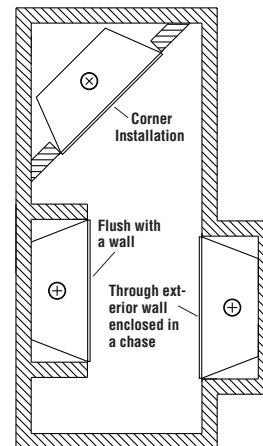
Side Wall Clearance



Mantel Clearance



Typical Locations



Minimum Clearances to Combustibles	
Back, Sides, Floor and Top	0 (0)
Perpendicular walls	10 (254)
Ceiling to Louver & Front	42 (1067)
B-Vent Surfaces	1 (26)

Inches (millimeters)

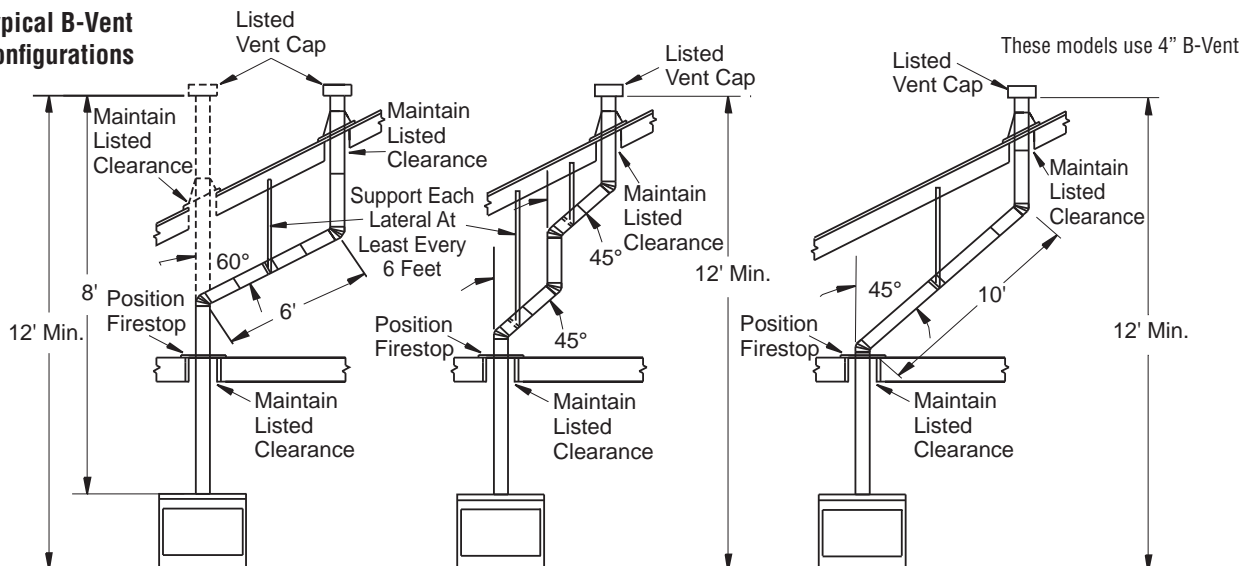
Ref.	Mantel Depth	Ref.	Mantel from Top of Louver Opening
1	16 (407)	A	18 (458)
2	14 (356)	B	16 (407)
3	12 (305)	C	14 (356)
4	10 (254)	D	12 (305)
5	8 (204)	E	10 (254)
6	4 (102)	F	8 (204)
7	2 (51)	G	6 (153)

NOTES:

- Combustible material with a maximum thickness of 5/8" (16 mm) may be flush with top and sides of front face of fireplace.
- If fireplace is to be installed directly on carpeting, vinyl tile or any combustible material other than wood flooring, fireplace must be installed upon a metal or wood panel extending full width and depth of fireplace.

Venting

Typical B-Vent Configurations



NOTE: DIAGRAMS & ILLUSTRATIONS ARE NOT TO SCALE.

Printed in U.S.A. © 2016 Innovative Hearth Products
P/N 900707-00 REV. NC 05/2016

Specifications and clearances are subject to change without notice. Refer to Installation Manual before installation of these appliances for updated dimensions and instructions.

Page 2 of 2

