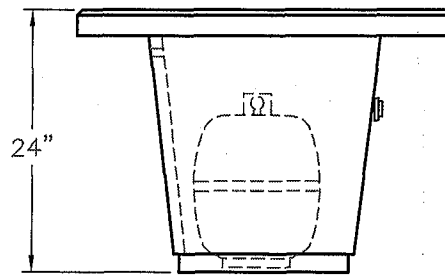
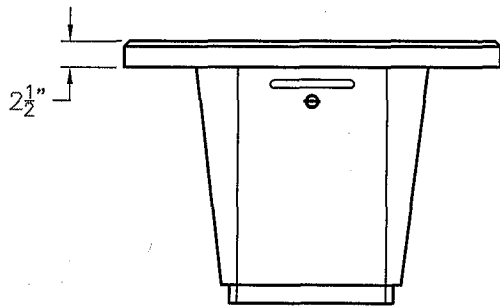
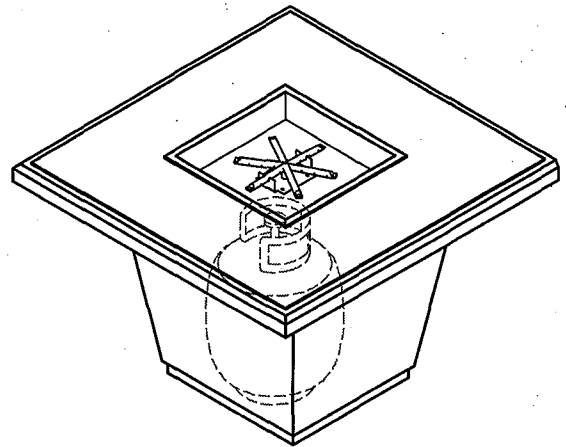
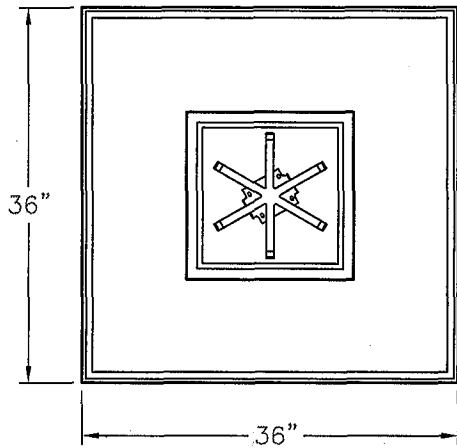


AMERICAN FLYRE DESIGNSSM
by R H Peterson co.



**COSMOPOLITAN
SQUARE FIRETABLE**